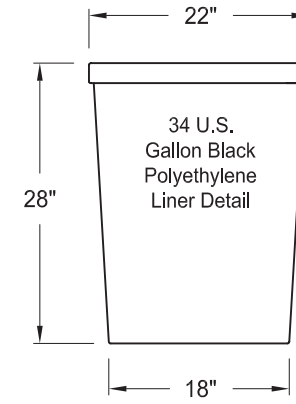
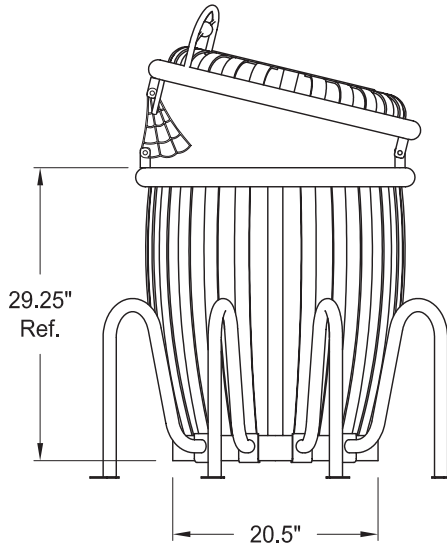
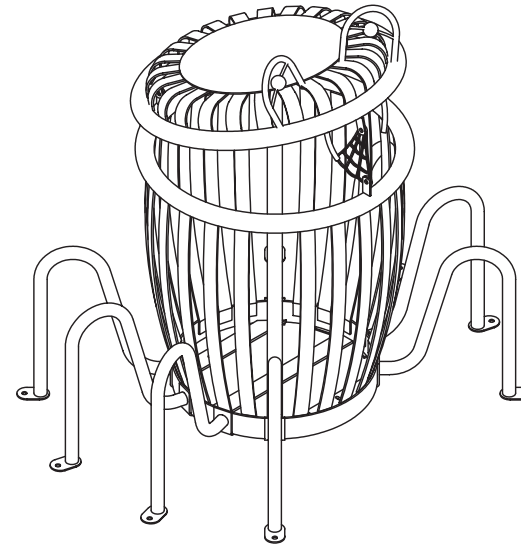
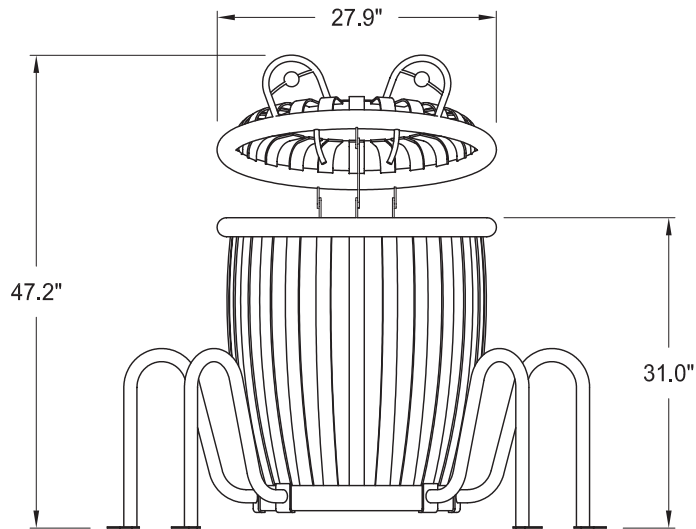
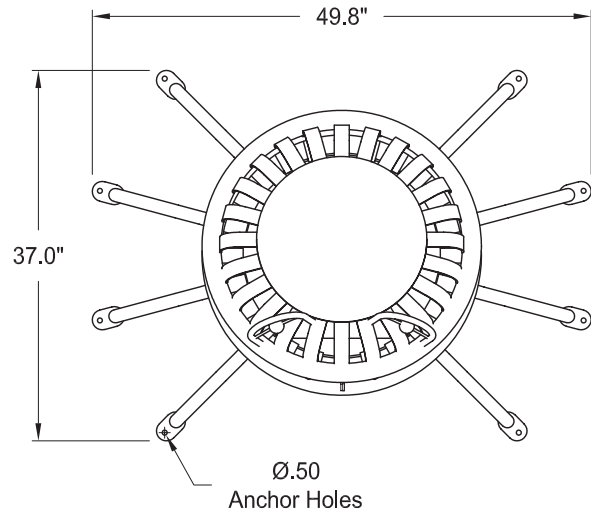
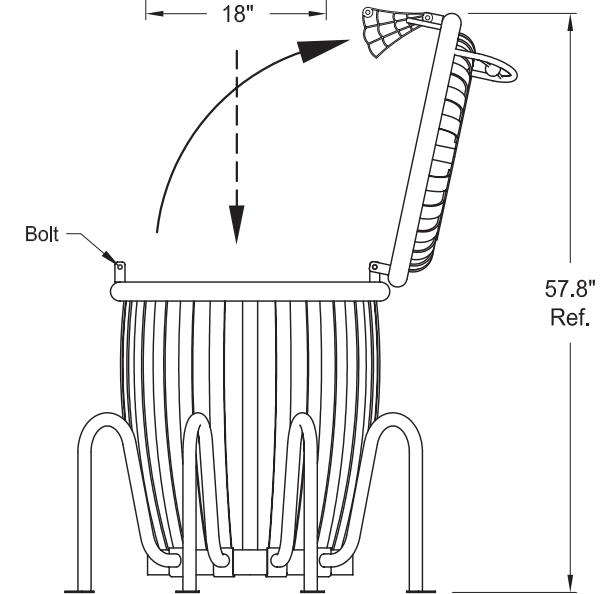


BREAK ALL EDGES AND CORNERS



- To Remove Litter:**
- 1) Remove Bolt from bottom of Lid Strut.
 - 2) Carefully Tilt Lid Back.
 - 3) Remove Liner or Bag within Liner



Materials:
 3/16" x 1.5" and 2.5" Steel Flat Bar
 3/16" Thick Steel Plate
 1.32 and 1.90" O.D. Steel Tube
 1/4" and 5/8" Diameter Steel Rod
 1.5" Diameter Steel Ball Bearing

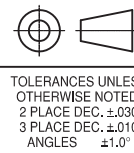
Notes:
 Dimensions shown are in inches.
 Anchoring Hardware Not Included.
 These specifications are subject to change at the discretion of PEML.

Finish: Polyester Powder Top Coat over E-Coated Substrate.

JGW# 461-374

4	3/8-16 X 1 CARRIAGE BOLT SS BZ	250-787	2
5	3/8-16 NYLOCK HEX NUT, 18-8 SS	253-245	2
6	CREATURE CAN EYE BALL	116-802	2
ITEM	DESCRIPTION	P/N	QTY

ER-N	NEW DRAWING P			
REV	ECN	REVISION DESCRIPTION	DATE	BY
THE IDEAS AND INFORMATION CONTAINED WITHIN THIS PRINT ARE CONFIDENTIAL AND MUST NOT BE LENT, COPIED OR USED WITHOUT WRITTEN CONSENT.				



PARIS
 Site Furnishings • Outdoor Fitness
 Toll-Free: 1-800-387-6318

ITEM	DESCRIPTION	P/N	QTY
SCALE: 1:20	TITLE		
DATE: 08Dec10	Spider Creature Can Specifications		
DRAWN BY: DPH			
CHECKED BY: -	DWG NO:	Model: CCS34	REVISION
SHEET 1 OF 1			A